

CONTAINER COMPONENTS EUROPE LIMITED

MOORE CLOSE, HOLMEWOOD INDUSTRIAL PARK, CHESTERFIELD, DERBYSHIRE S42 5UX

Tel +44(0)1246 593234 Fax +44(0)1246 852128

Contact: www.containercomponents.co.uk email: sales@duraflexlids.co.uk

Fitting Instructions for AM series 3460, 3463, 3468, 6963 lids.

ONE BOX CONTAINS TWO KITS.

AM SERIES ASSEMBLY

Item	Part Number	Quantity for Kit	Group
1	Left hand spring	1	Springs
2	Right hand spring	1	"
3	M16x80mm Hx Hd Bolt 8.8 HT	2	"
4	M16 Nyloc Nut 8.8 HT	2	"
5	M16 Washer Std	2	"
6	Hinge Bar 1850mm	1	Hinge Bar
7	Front Angle 1740mm	1	Front Angle
8	M10x75mm Hx Hd Bolt 8.8 HT	2	"
9	M10 Washer	2	"
10	Tube Insert 50mm	2	"
11	Adaptable Tube	2	"
12	AM Tension Bracket	2	Tension Bracket
13	AM Tension Bracket Bolt M10x75mm Hx Hd 8.8 HT	2	"
14	AM Tension Bracket Nyloc Nut M10 8.8 HT	2	"
15	M10x60mm Hx Hd Bolt	2	Lid Retaining Bolts
16	M10 Nyloc Nut	2	"
17	M10 Washer	2	"
18	Front Chain with Karabiner 700mm	2	Front Chain Assy
19	Angle Iron Bracket	2	"
20	Rear Chain without Karabiner 700mm	2	Rear Chain Assy
21	Saddle Bracket 2mm thk	2	"
22	M10x30mm Hx Hd Bolt	2	"
23	M10 Nyloc Nut	2	"
24	M10 Washer	2	"
25	M6x20mm Hx Hd Bolt	2	"
26	M6 Nyloc Nut	2	"

Assembly guide in order of fitting

It is recommended that 2 persons assemble this kit.

CCE cannot be held responsible if our recommended method of fitting is not adhered to, or for any ancillary items attached which have not been supplied by CCE.

A) Fitting of Front Middle Bolt and tube inserts (shown top right and overleaf).

Push tube insert (10) into outer hole in lid as shown. Bolt (15) is placed in the central hole of the Front angle (7) then through hole in lid and washer (17) and nut (16) to secure. In the case of lid pairs 2 bolts (15) are placed in slots either side of the central hole in front angle (7). The lid pairs should measure between 1760-1800mm across to line up with hole centres in Front angle.

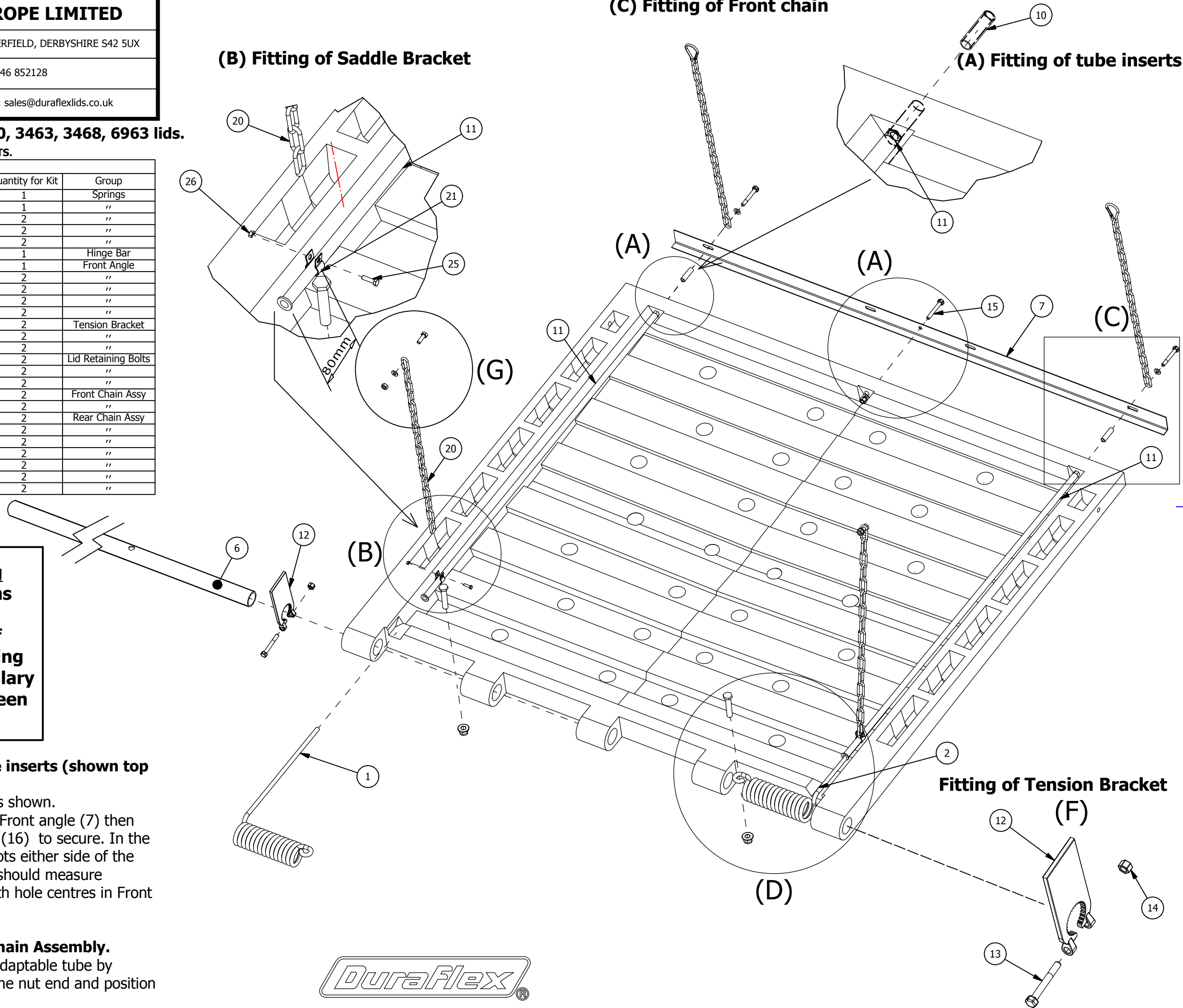
B) Fitting of Saddle Bracket and rear Chain Assembly.

Attach the rear chain assembly (20) to the adaptable tube by sliding the saddle bracket (21,25,26) over the nut end and position 80mm from washer end of tube.

(C) Fitting of Front chain

(B) Fitting of Saddle Bracket

(A) Fitting of tube inserts



See (C)

D) Fitting of Springs (1+2).

Ensure correct spring orientation (left or right) and slide straight leg of spring into the adaptable tube (11) on both sides. Slide the hinge bar (6) through lugs and springs combined. Fit Bolt (3) through eyelet of spring and the hinge rod and secure using the washer (5) and Nyloc Nut (4). It may be necessary to drill new holes (Ø18mm) in the hinge rod to suit varying widths of skips. See (E).

F) Placing lid assembly onto skip and Fitting of Tension brackets.

With a packer of 3mm - 5mm under the lids, position the lids so that they are centred on the skip in side to side alignment and position the front of the lid(s) to a user defined dimension from the front face. With the tension brackets (12) hanging vertically either end of hinge rod (6) and left loose up to the skip side ensure it is not fouling lid (otherwise pack off from skip side) and tack weld in position. Ensure by operating the lid(s) are in correct position before fully welding the tension brackets on.

Once the tension brackets are fully welded open the lid(s) to 160° and then tighten the tension bolts (13) to around 35 n/m (27 lb/ft) torque to ensure no slippage occurs.

Close the lids and see when opened they open to the required position (90°), and are not under any undue stress.

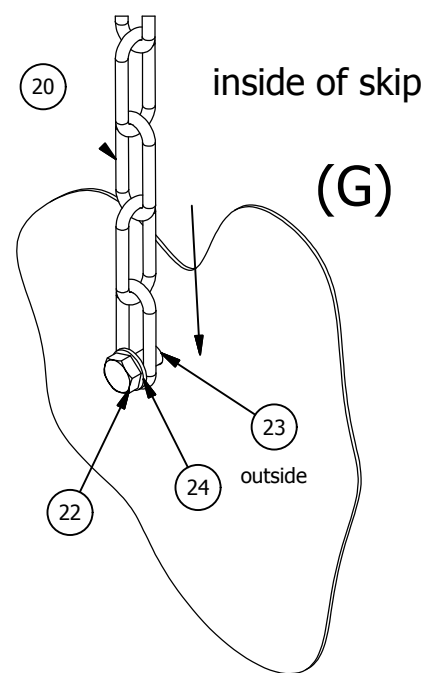
If tension wants adjusting increase or decrease the angle until your desired tension in lids is acquired. **Beware: over tensioning can damage lid assembly.**

G) Fitting rear chain assembly inside skip.

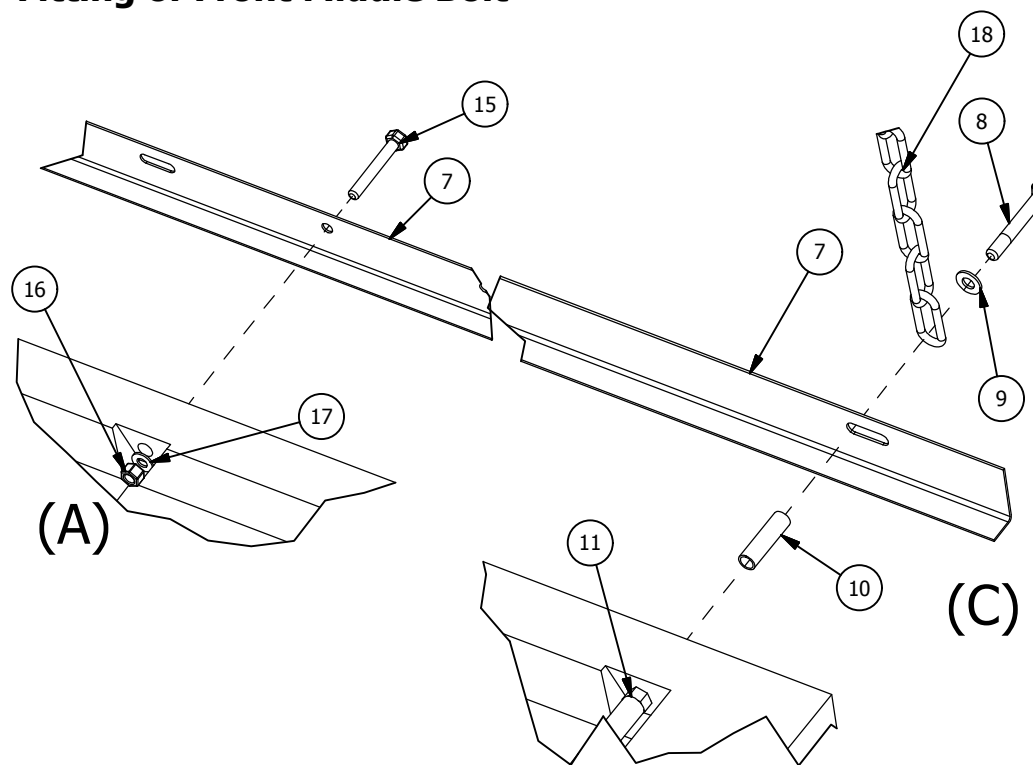
The rear chain assembly is used to control how much the lid is allowed to open. This is achieved by drilling a Ø11mm hole in the side walls of the skip. Bolt (22) goes through the washer (24) then last link of rear chain assembly (20). The bolt is fed through the drilled hole in the skip side and secured on outside using nut (23). Ensure that the holes in the skip sides are in the same position both sides of the skip so that the rear chain working length is identical.

H) Front chain angle irons.

The angle irons (19) should be welded to front face of skip as shown to facilitate fitting of the front chain. This should be positioned so that a vertical link in the chain is pushed over the angle iron in such a manner so as to hold the lid closed, the karabiner is then placed through the hole to stop the chain link from sliding off. This can be undone and the karabiner put directly into angle iron to allow lid to be left open 30-40cm if required. The lid assembly is now complete.



Fitting of Front Middle Bolt

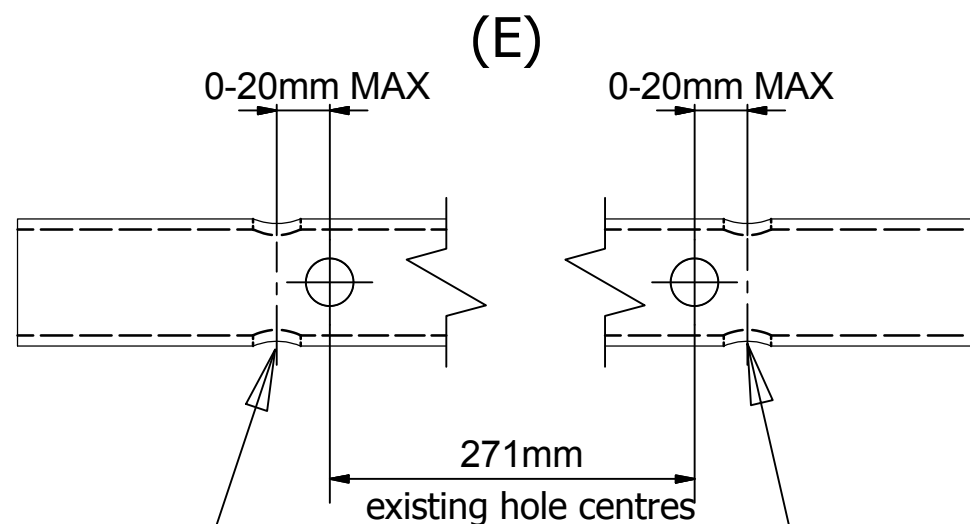


Fitting of Front Angle

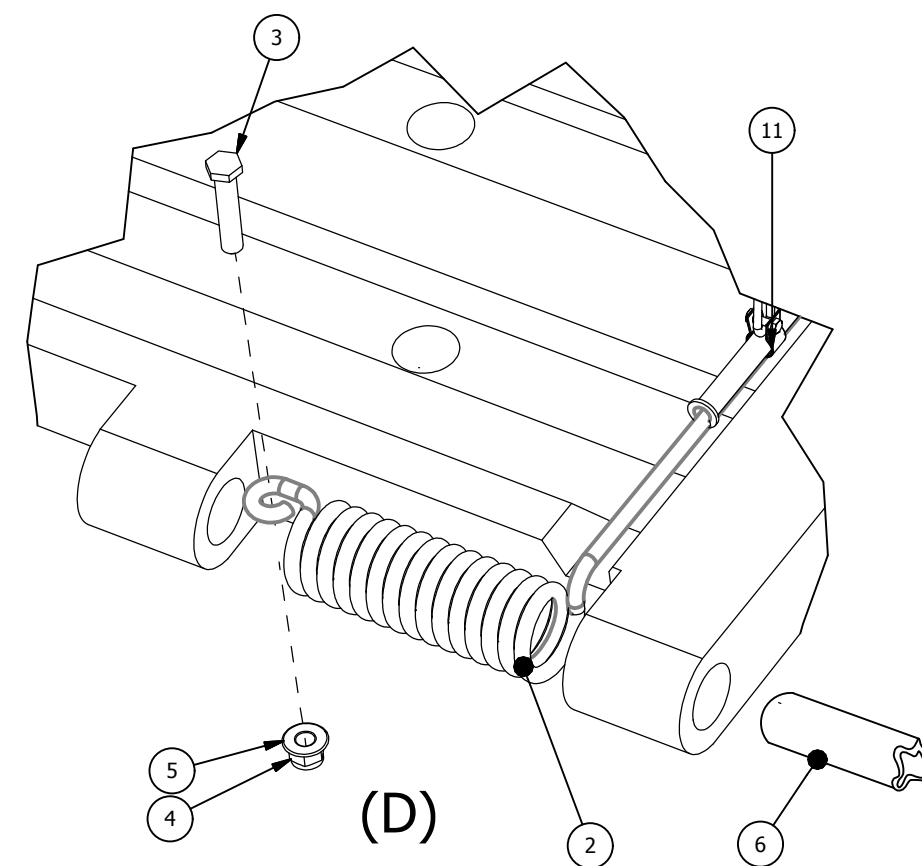
C) Fitting of Front Angle and front chain.

Put washer (9) on bolt (8) and then feed through end link of front chain (18), then through the front angle 1740mm (7) end slot and through previously fitted insert (10). Thread bolt into nut end of the adaptable tube (11).

Drilling alternative holes in hinge bar.



To accommodate wider skip widths drill 2 new holes at 90° to the existing ones to avoid possible interference between the two sets.



Fitting of Springs

Fitting of Lid assembly onto skip.

